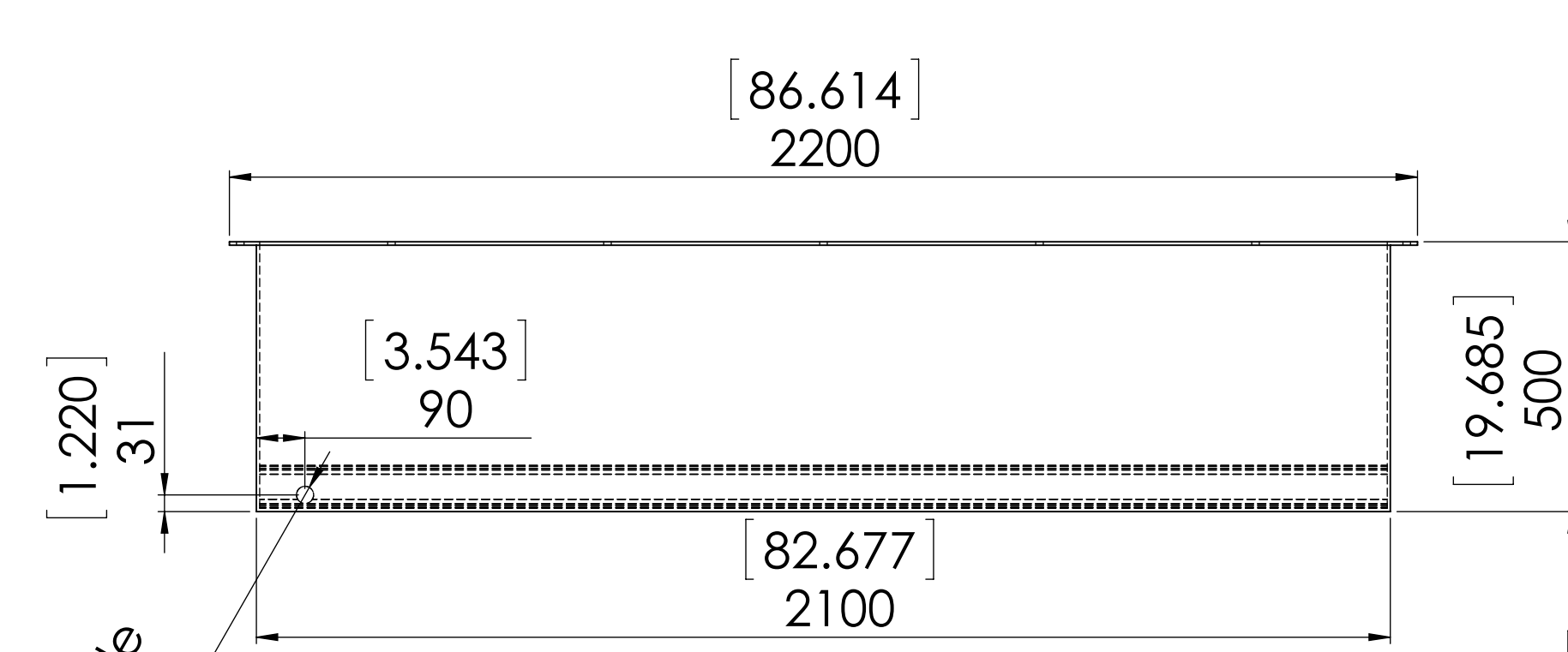
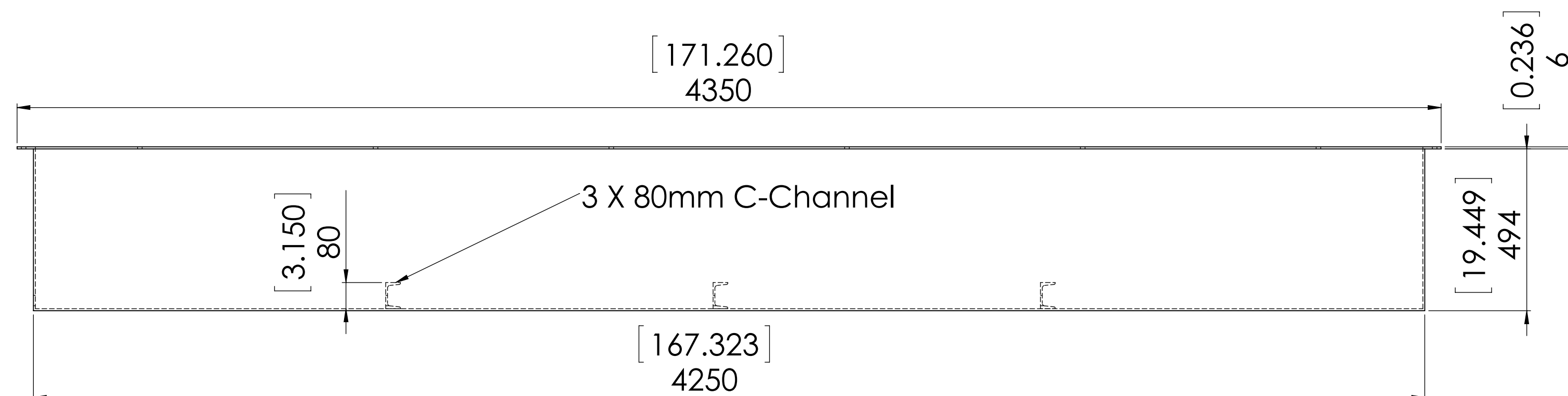
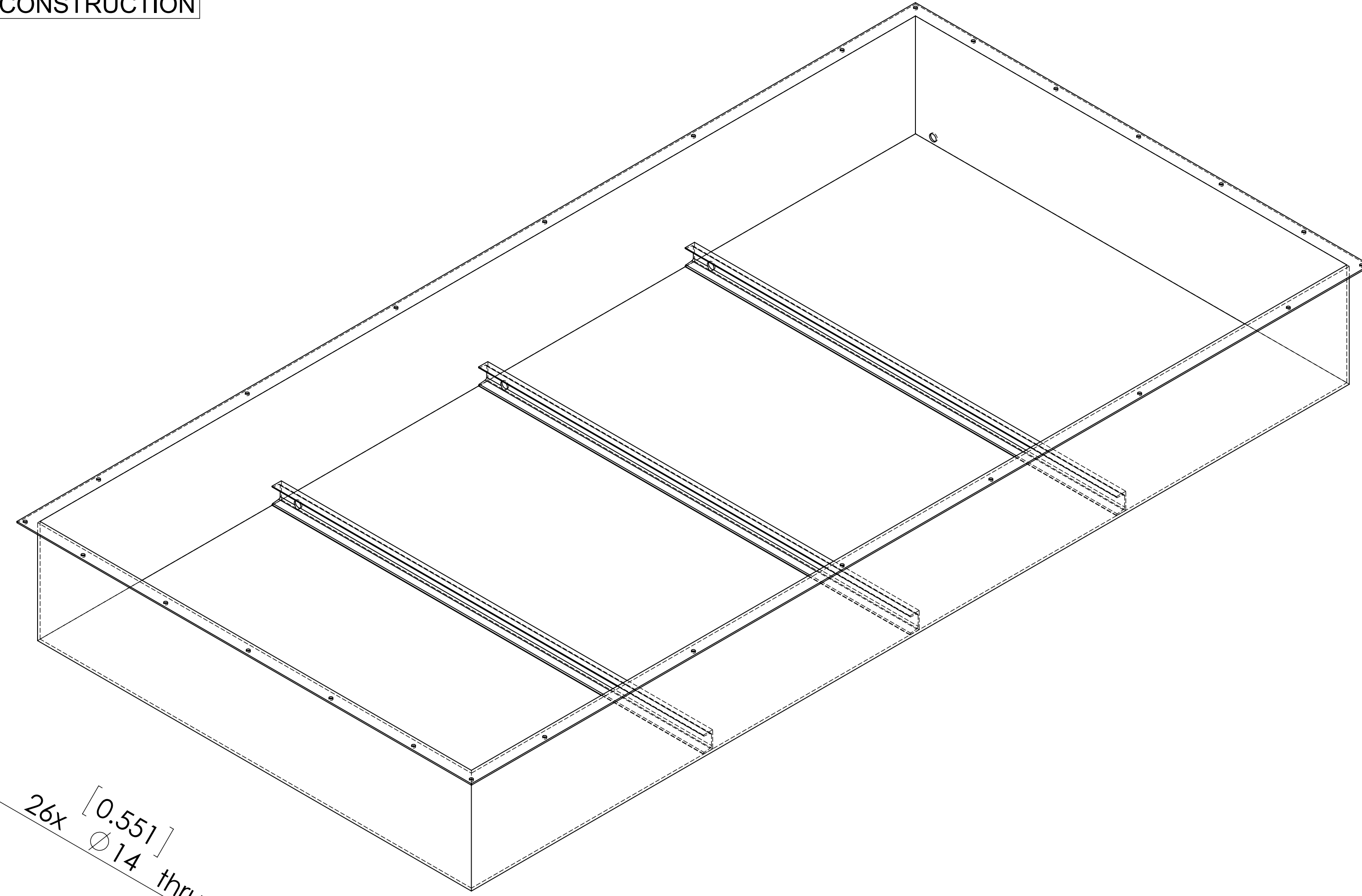
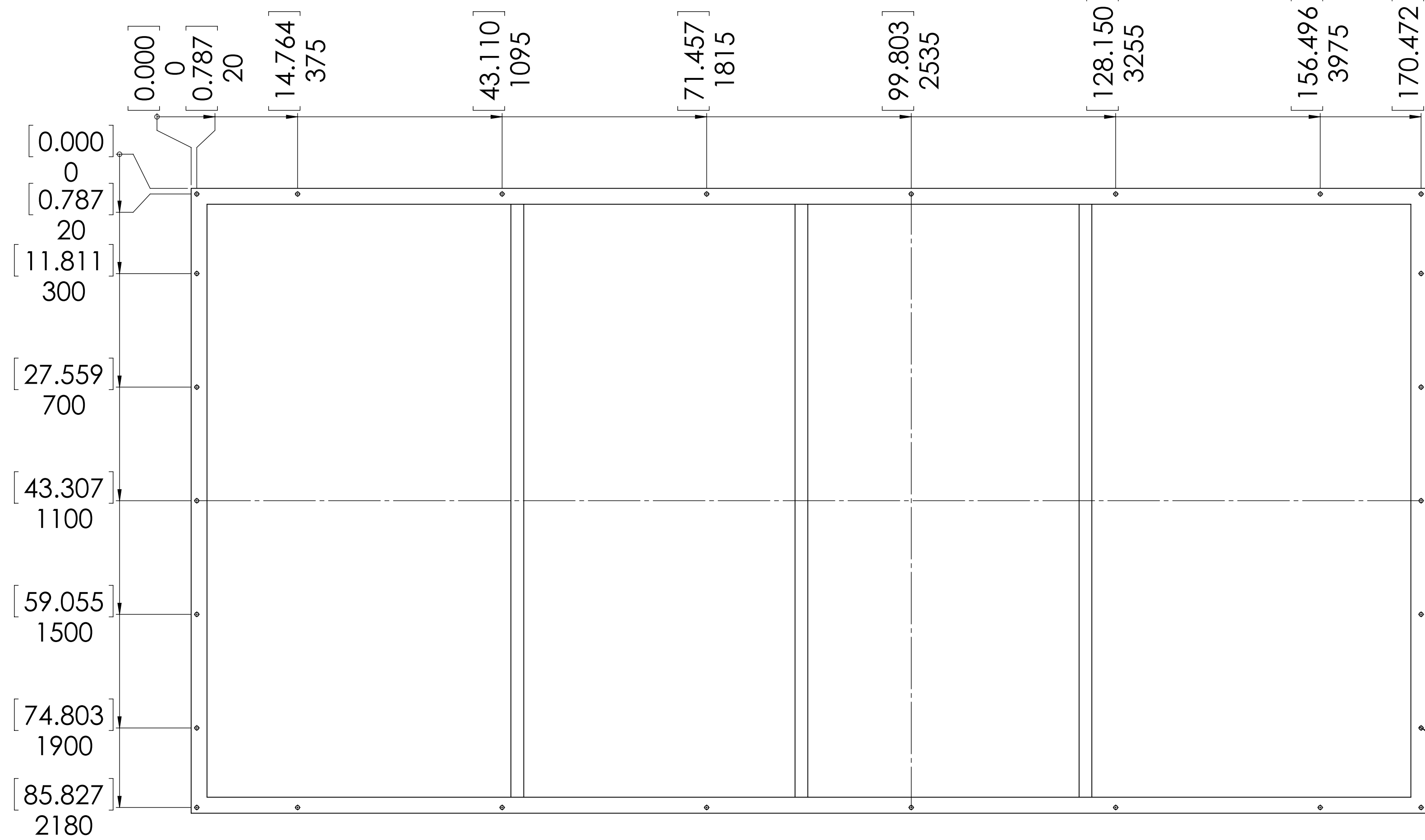


PRELIMINARY DRAWING - NOT FOR CONSTRUCTION



- NOTES:
1. MATERIAL: CARBON STEEL
  2. WEIGHT: 800KG
  3. COATING: GALV OR EPOXY RAISIN PAINT
  4. CONTINUOUS 1/4" WELDS MUST BE USED TO MAKE IT WATER-TIGHT
  5. IT MUST BE INSTALLED ON PLANE CONCRETE BASE
  6. MAKE PERIODIC VISITS TO DRAIN WATER ACCUMULATION

**CanadianSolar**

DESIGN ATTRIBUTION & IP NOTE:  
THIS DRAWING IS STRICTLY CONFIDENTIAL. REPRODUCTION OR TRANSMISSION OF INFORMATION CONTAINED HEREIN TO THIRD PARTIES IS STRICTLY PROHIBITED WITHOUT THE APPROVAL OF CANADIAN SOLAR SOLUTIONS INC. THE DRAWING AND INFORMATION HEREIN IS PROTECTED AND REMAINS THE PROPERTY OF CANADIAN SOLAR SOLUTIONS INC.

TYPE:	CONTAINERIZED MV STATION	CODE COMPLI:	IEC
PROJECT:	MV-IEC-6250	SIZE:	6250KVA
TITLE:	OIL-PIT DRAWING		0.6/33KV

STAMP / CERTIFICATION	NAME	DATE
	DESIGNED BY: Ashutosh Sharma	2018/10/30
	REVIEWED BY: K.Komasinski	2018/10/30
	APPROVED BY:	

REV	REVISION DESCRIPTION	BY	DATE
A	Initial Draft - For Review	A.Sharma	2018/10/30

MAT. SIZE:	6MM OR 1/4"	THESE PROVISIONS	DO NOT SCALE DRAWING
MATERIAL:	CARBON STEEL		ALL DIMENSIONS APPLY AFTER PLATING
HEAT TREAT:	N/A	QUANTITY REQUIRED	TOLERANCES UNLESS OTHERWISE SPECIFIED
FINISH:	GALVANIZED OR PAINTED	1	MM: ± 0.25 XX: ± 0.10 XXX: ± 0.05
SURFACE PREP:	SAND BLASTED (IN CASE OF PAINT)		XX: ± 1/16 XXX: ± 0.05 XXX: ± 0.025
PROJECT NO:	MV-IEC-6250	ANGLES: ± 30.0°	XXX: ± 0.025 XXX: ± 0.025
DESIGN:	CAF		
REV:	M		
DATE:	A		
	1		
	1		
	D		
	1:12		